

Pivo Magnetic Mount

List of items included

- Pivo Magnetic Mount
 - User Manual
 - Alignment Guide
 - Magnetic Ring Stickers (2)
-

For video tutorials, visit our official YouTube channel, [youtube.com/getpivo](https://www.youtube.com/getpivo). For your country's warranty please visit our website, Support Hub in pivo.ai. Need more information? Scan the QR code below or visit our Support Hub.

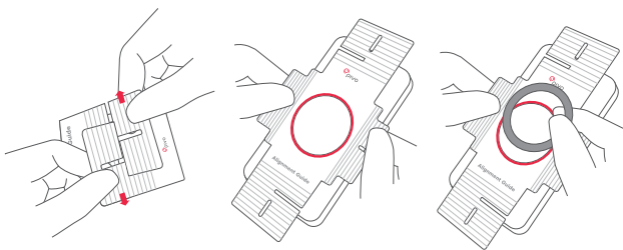


2022 Pivo Inc. All rights reserved.
3003 North 1st Street San Jose,
California CA 95134
www.pivo.ai
Social media: [@getpivo](https://twitter.com/getpivo)

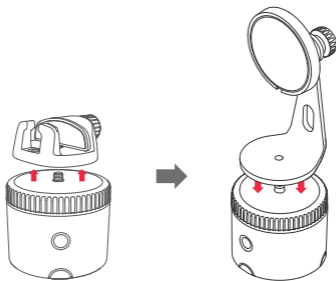
USING MAGNETIC MOUNT

*Skip Step 1 if your phone has MagSafe.

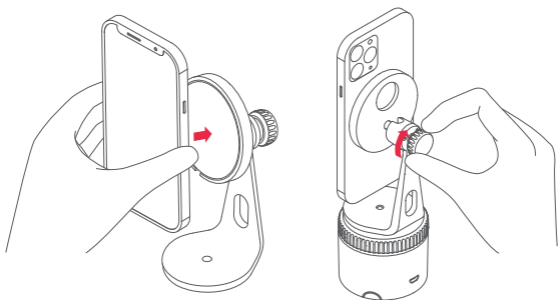
- 1 Put the magnetic sticker on your smartphone.



- 2 Remove the Panoramic Mount and attach the Magnetic Mount to the Pivo Pod.



3 Attach your smartphone and adjust its position.



4 To charge a smartphone with the Magnetic Mount, replace the magnet with a magnetic wireless charger (not included).

